

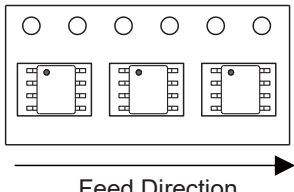
Packing Quantity

Package	Tape Width (mm)	Reel Size (inch)	Reel Quantity	BOX Quantity	Carton Quantity
SOP-8	12	13	4000	8000	40000

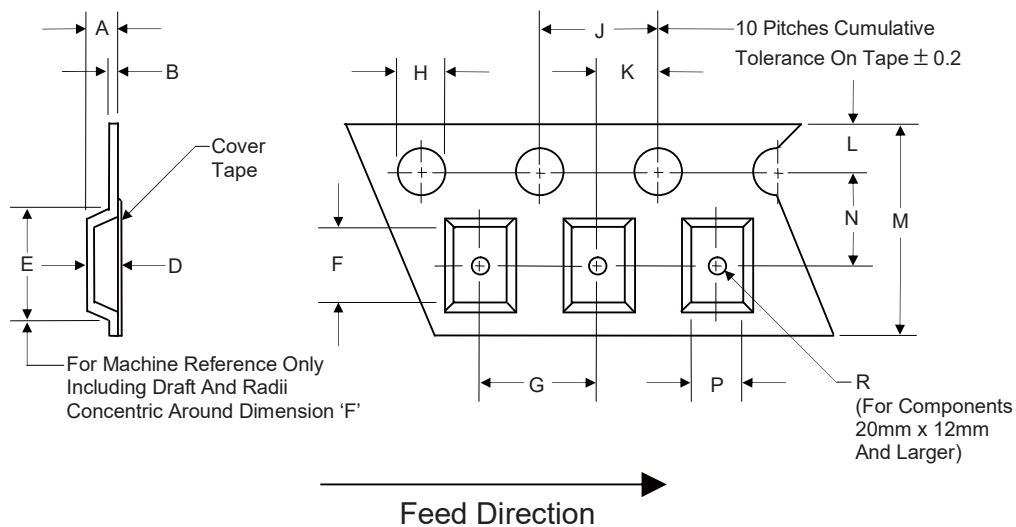
Note 1: These are minimum package quantities only. Minimum orders will differ. Contact the factory for more information on minimum order quantities.

Note 2: GOFORD Tape&reel products meets EIA-481 REV D specification.

Device Tape orientation Start and Finish Specification

Package	Tape Width (mm)	Tape Orientation	Empty components at start (pockets)--close to the reel center	Empty components at finish (pockets)--close to the reel outside
SOP-8	12		25	50

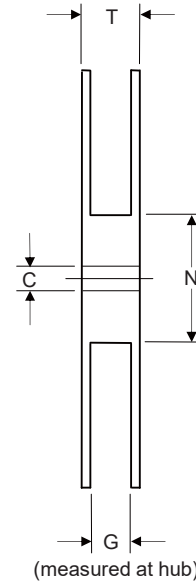
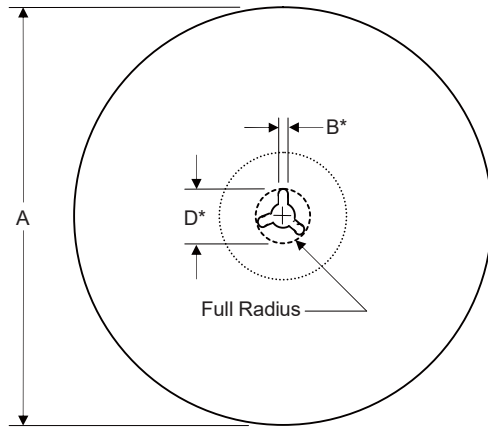
Embossed carrier Tape specifications



Tape Width	H	L	J	B	D	F	P
12mm	1.5	1.75	4.0	0.3	/	5.2	6.4
(Tolerance)	+0.1	±0.1	±0.1	±0.05	/	±0.1	+0.1

Tape Width	E	R	N	A	K	M	G
12mm	5.8	1.5	5.5	2.1	2.0	12.0	8.0
(Tolerance)	MIN	±0.25	±0.05	±0.1	±0.05	+0.3/-0.1	±0.1

Surface Mount Reel Specifications

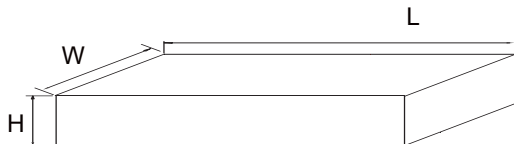


* Drive spoke dimensions optional. If drive spoke is used then asterisked dimensions apply.

Tape Width	A	B	C	D	N	G	T
12mm	330	2.0	13.0	22	100	12.4	16.6
(Tolerance)	±2.0	±0.5	+0.5/-0.2	±0.5	±1.0	+2.0	/

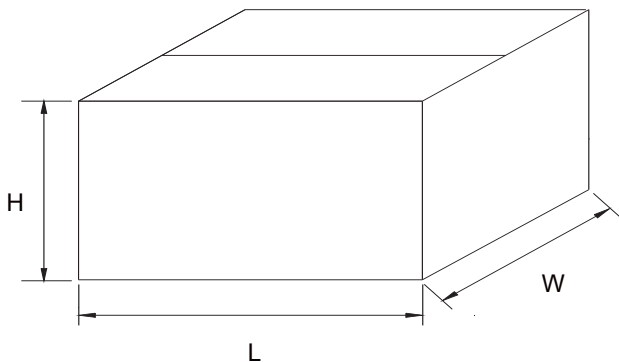
Dimensions

Inbox size



Dimension	Specification(mm typical)
	General
L	356
W	335
H	50

Carton size Feed Direction



Dimension	Specification(mm typical)
	General
L	385
W	285
H	358

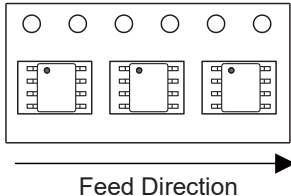
Packing Quantity

Package	Tape Width (mm)	Reel Size (inch)	Reel Quantity	BOX Quantity	Carton Quantity
SOP-8	12	13	4000	8000	48000

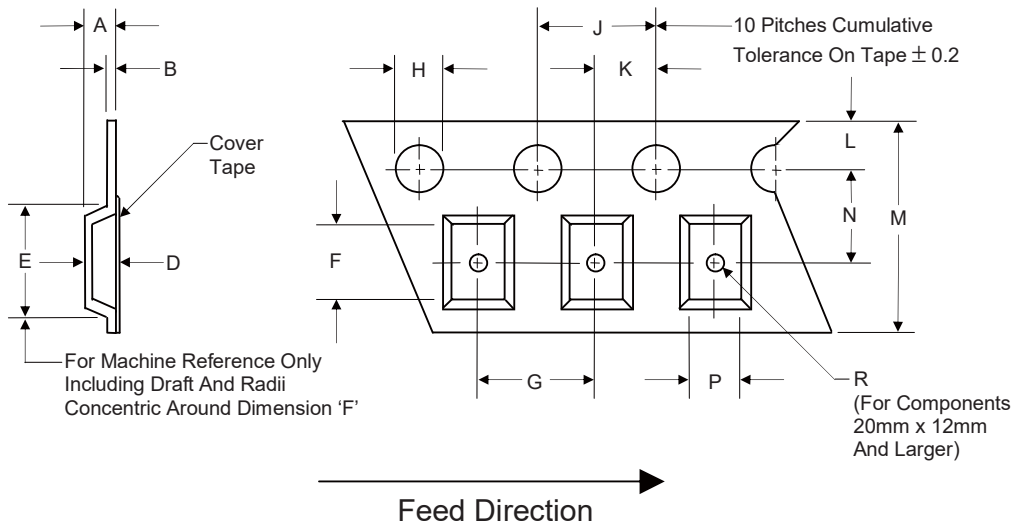
Note 1: These are minimum package quantities only. Minimum orders will differ. Contact the factory for more information on minimum order quantities.

Note 2: GOFORD Tape&reel products meets EIA-481 REV D specification.

Device Tape orientation Start and Finish Specification

Package	Tape Width (mm)	Tape Orientation	Empty components at start (pockets)--close to the reel center	Empty components at finish (pockets)--close to the reel outside
SOP-8	12		50	30

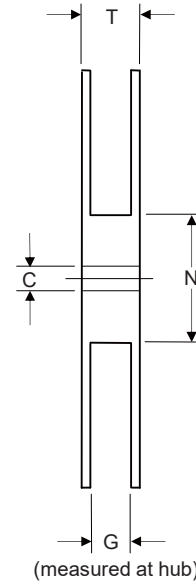
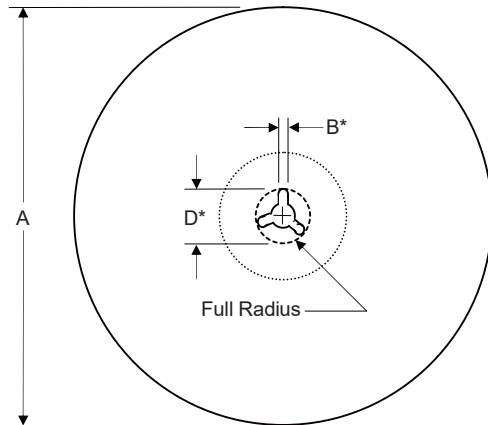
Embossed carrier Tape specifications



Tape Width	H	L	J	B	D	F	P
12mm	1.5	1.75	4.0	0.25	/	5.3	6.5
(Tolerance)	±0.1	±0.1	±0.1	±0.02	/	±0.1	±0.1

Tape Width	E	R	N	A	K	M	G
12mm	5.8	1.5	5.5	2.05	/	12.0	8.0
(Tolerance)	MIN	±0.05	±0.1	±0.15	/	±0.1	±0.1

Surface Mount Reel Specifications

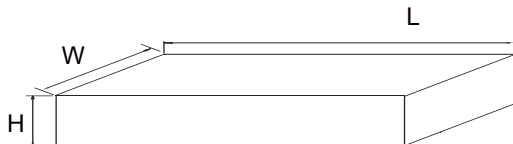


* Drive spoke dimensions optional. If drive spoke is used then asterisked dimensions apply.

Tape Width	A	B	C	D	N	G	T
12mm	330	3.0	13.2	/	100	12.4	12.8
(Tolerance)	±2.0	±1.0	±0.2	/	±0.5	±0.4	±0.5

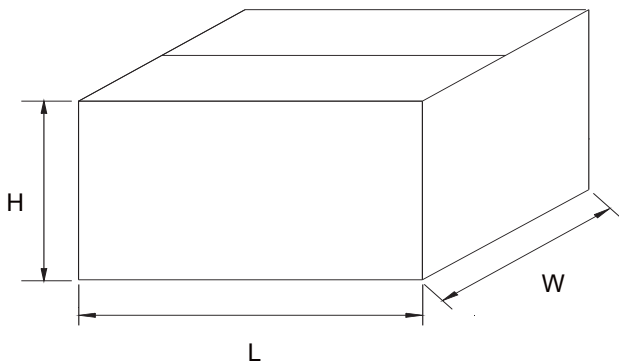
Dimensions

Inbox size



Dimension	Specification(mm typical)
	General
L	355
W	345
H	60

Carton size



Dimension	Specification(mm typical)
	General
L	390
W	375
H	360

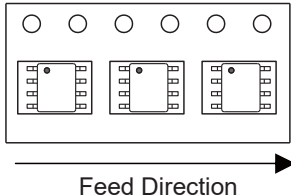
Packing Quantity

Package	Tape Width (mm)	Reel Size (inch)	Reel Quantity	BOX Quantity	Carton Quantity
SOP-8	12	13	4000	8000	64000

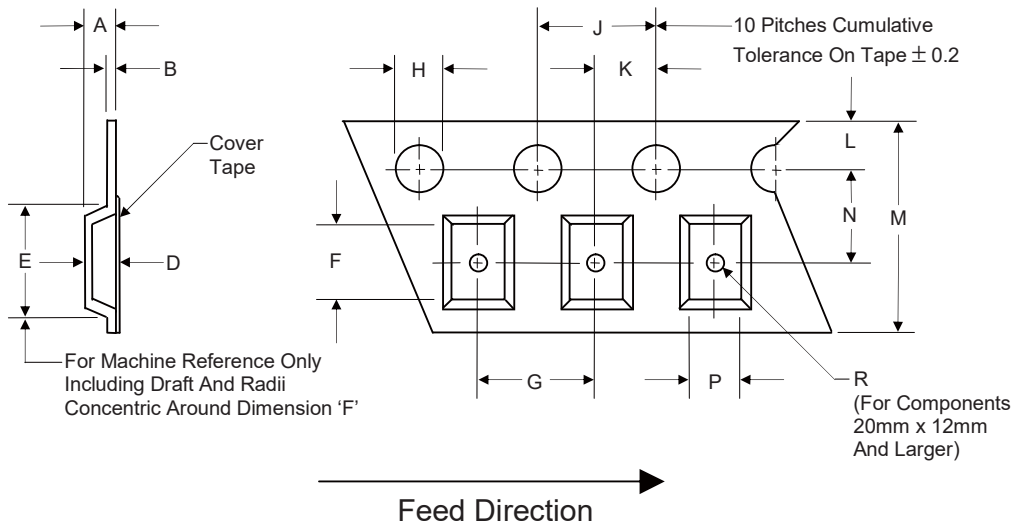
Note 1: These are minimum package quantities only. Minimum orders will differ. Contact the factory for more information on minimum order quantities.

Note 2: GOFORD Tape&reel products meets EIA-481 REV D specification.

Device Tape orientation Start and Finish Specification

Package	Tape Width (mm)	Tape Orientation	Empty components at start (pockets)--close to the reel center	Empty components at finish (pockets)--close to the reel outside
SOP-8	12		50	50

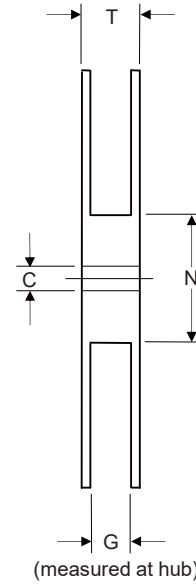
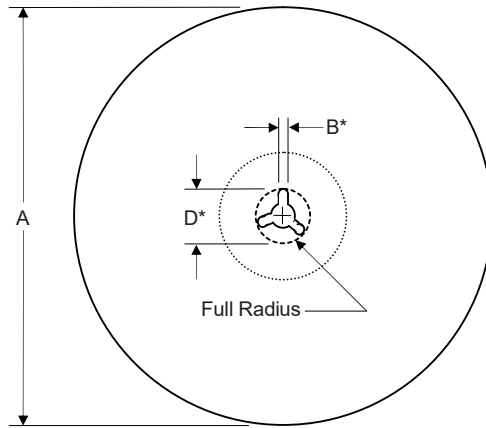
Embossed carrier Tape specifications



Tape Width	H	L	J	B	D	F	P
12mm	1.55	1.75	4.0	/	/	5.3	6.6
(Tolerance)	/	/	/	/	/	/	/

Tape Width	E	R	N	A	K	M	G
12mm	/	/	5.5	2.1	2.0	12.0	8.0
(Tolerance)	/	/	/	/	/	/	/

Surface Mount Reel Specifications

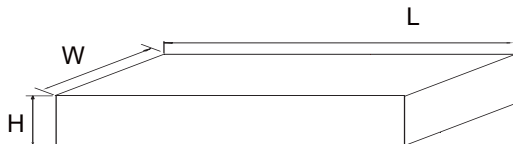


* Drive spoke dimensions optional. If drive spoke is used then asterisked dimensions apply.

Tape Width	A	B	C	D	N	G	T
12mm	330	/	6.5	13	100	13	17.25
(Tolerance)	/	/	/	/	/	/	/

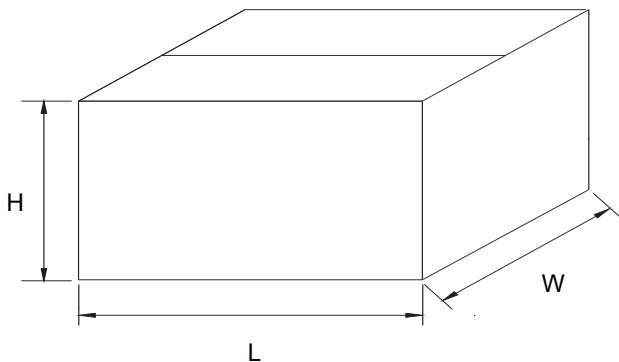
Dimensions

Inbox size



Dimension	Specification(mm typical)
	General
L	370
W	340
H	55

Carton size



Dimension	Specification(mm typical)
	General
L	385
W	365
H	315

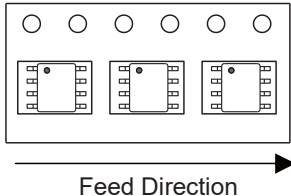
Packing Quantity

Package	Tape Width (mm)	Reel Size (inch)	Reel Quantity	BOX Quantity	Carton Quantity
SOP-8	12	13	4000	8000	64000

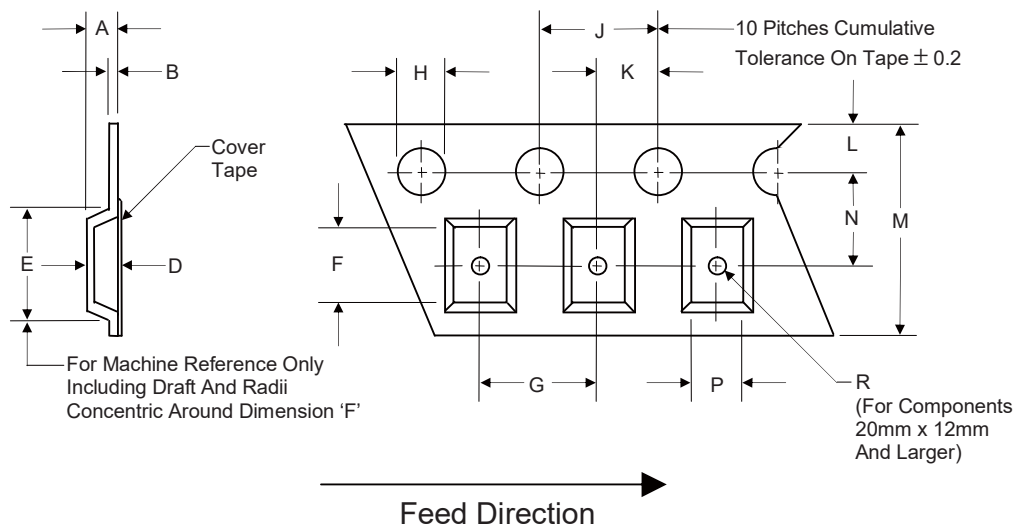
Note 1: These are minimum package quantities only. Minimum orders will differ. Contact the factory for more information on minimum order quantities.

Note 2: GOFORD Tape&reel products meets EIA-481 REV D specification.

Device Tape orientation Start and Finish Specification

Package	Tape Width (mm)	Tape Orientation	Empty components at start (pockets)--close to the reel center	Empty components at finish (pockets)--close to the reel outside
SOP-8	12		125	140

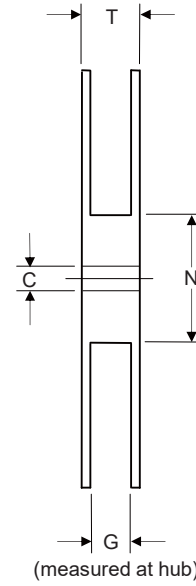
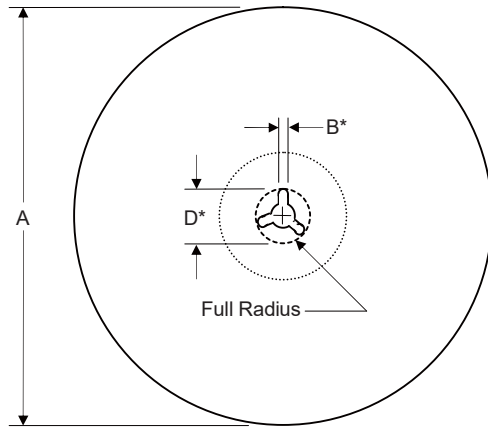
Embossed carrier Tape specifications



Tape Width	H	L	J	B	D	F	P
12mm	1.5	1.75	4.0	0.3	/	5.3	6.6
(Tolerance)	+0.1	±0.1	±0.1	±0.05	/	±0.1	±0.1

Tape Width	E	R	N	A	K	M	G
12mm	6.0	1.55	5.5	2.2	2.0	12.0	8.0
(Tolerance)	MIN	±0.05	±0.1	±0.1	±0.1	±0.1	±0.1

Surface Mount Reel Specifications

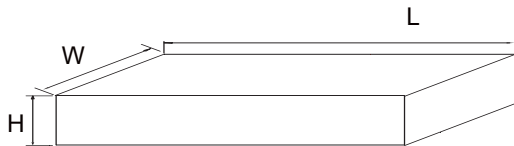


* Drive spoke dimensions optional. If drive spoke is used then asterisked dimensions apply.

Tape Width	A	B	C	D	N	G	T
12mm	330	2.0	13.0	/	100	12.4	18.4
(Tolerance)	±1.0	+0.5/-0.2	+0.2/-0.2	/	±0.5	+1.0	MAX

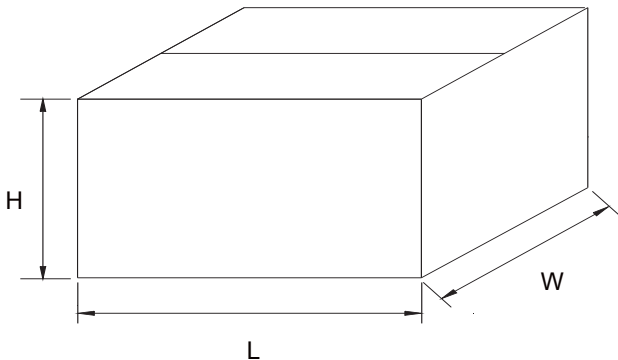
Dimensions

Inbox size



Dimension	Specification(mm typical)
	General
L	353
W	340
H	60

Carton size



Dimension	Specification(mm typical)
	General
L	505
W	370
H	360

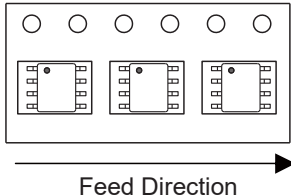
Packing Quantity

Package	Tape Width (mm)	Reel Size (inch)	Reel Quantity	BOX Quantity	Carton Quantity
SOP-8	12	13	4000	8000	64000

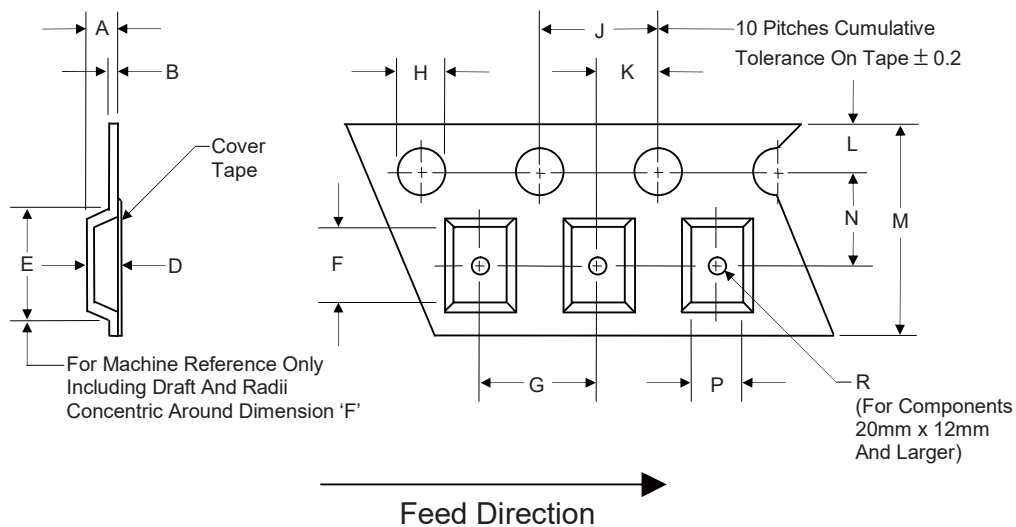
Note 1: These are minimum package quantities only. Minimum orders will differ. Contact the factory for more information on minimum order quantities.

Note 2: GOFORD Tape&reel products meets EIA-481 REV D specification.

Device Tape orientation Start and Finish Specification

Package	Tape Width (mm)	Tape Orientation	Empty components at start (pockets)--close to the reel center	Empty components at finish (pockets)--close to the reel outside
SOP-8	12		50	50

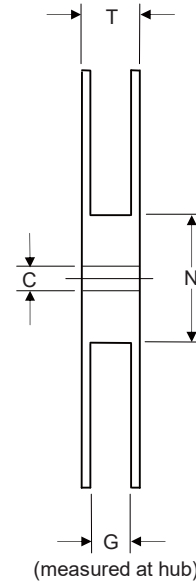
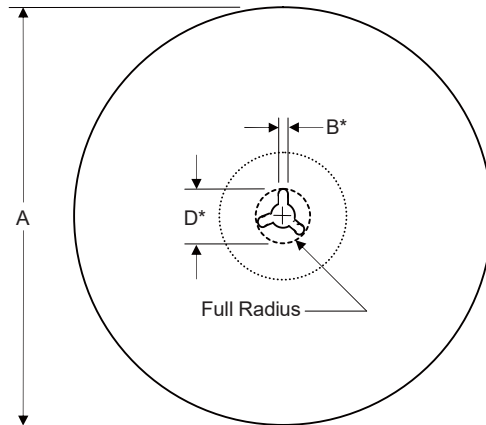
Embossed carrier Tape specifications



Tape Width	H	L	J	B	D	F	P
12mm	1.5	1.75	4.0	0.25	/	5.4	6.4
(Tolerance)	+0.1	± 0.1	± 0.1	± 0.03	/	± 0.1	+0.1

Tape Width	E	R	N	A	K	M	G
12mm	5.9	1.5	5.5	2.35	2.0	12.0	8.0
(Tolerance)	MIN	± 0.25	± 0.05	± 0.03	± 0.05	+0.3/-0.1	± 0.1

Surface Mount Reel Specifications

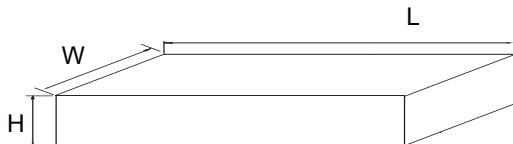


* Drive spoke dimensions optional. If drive spoke is used then asterisked dimensions apply.

Tape Width	A	B	C	D	N	G	T
12mm	330	/	/	/	100	12.4	19.4
(Tolerance)	±2.0	/	/	/	±1.0	±0.3	±0.3

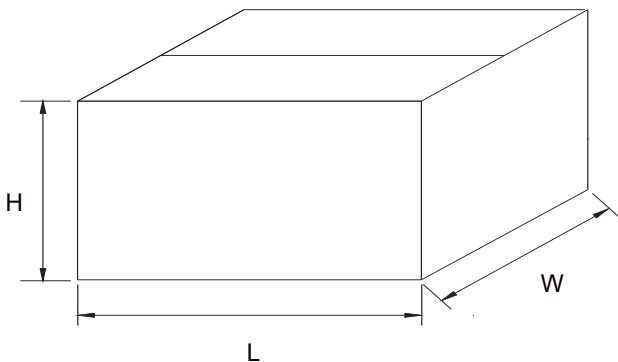
Dimensions

Inbox size



Dimension	Specification(mm typical)
	General
L	365
W	360
H	60

Carton size



Dimension	Specification(mm typical)
	General
L	520
W	386
H	385