

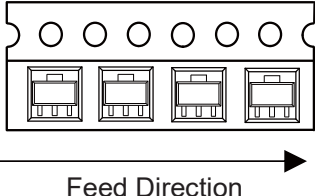
Packing Quantity

Package	Tape Width (mm)	Reel Size (inch)	Reel Quantity	BOX Quantity	Carton Quantity
SOT-223	12	13	2500	5000	30000

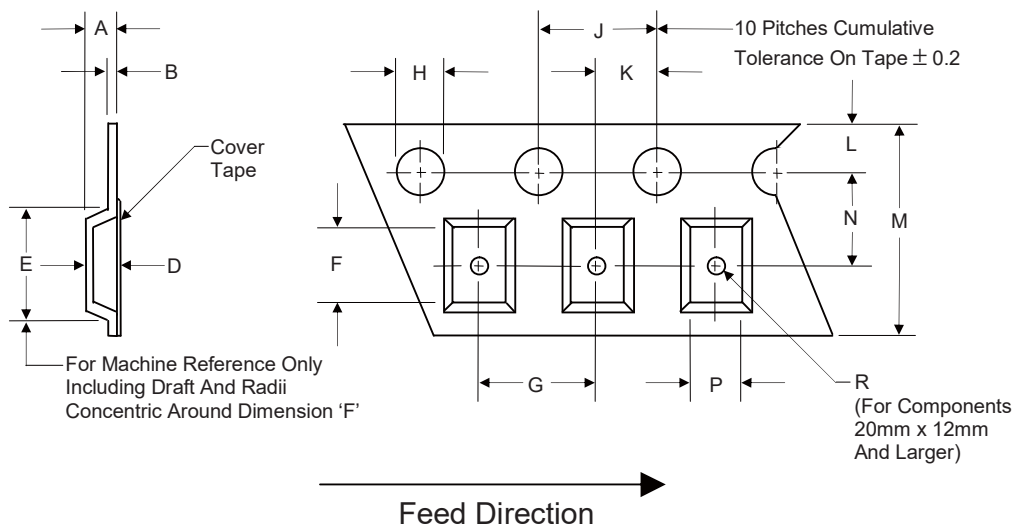
Note 1: These are minimum package quantities only. Minimum orders will differ. Contact the factory for more information on minimum order quantities.

Note 2: GOFORD Tape&reel products meets EIA-481 REV D specification.

Device Tape orientation Start and Finish Specification

Package	Tape Width (mm)	Tape Orientation	Empty components at start (pockets)--close to the reel center	Empty components at finish (pockets)--close to the reel outside
SOT-223	12		50	30

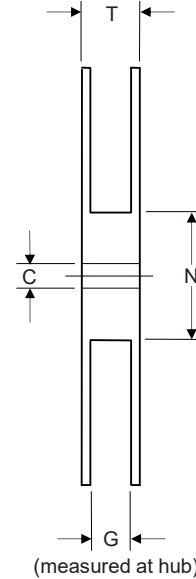
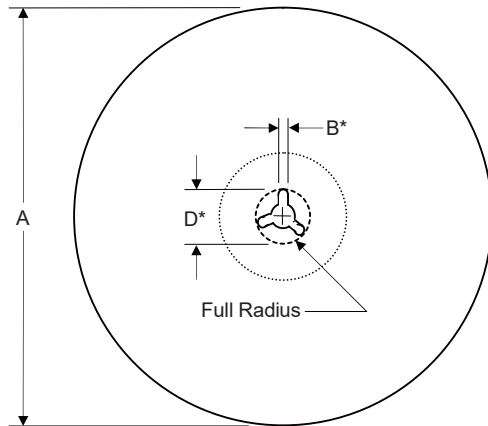
Embossed carrier Tape specifications



Tape Width	H	L	J	B	D	F	P
12mm	1.5	1.75	4.0	0.25	/	6.9	7.3
(Tolerance)	±0.1	±0.1	±0.1	±0.02	/	±0.1	±0.1

Tape Width	E	R	N	A	K	M	G
12mm	7.8	1.5	5.5	2.1	/	12.0	8.0
(Tolerance)	MIN	+0.1	±0.1	±0.1	/	±0.1	±0.1

Surface Mount Reel Specifications



* Drive spoke dimensions optional. If drive spoke is used then asterisked dimensions apply.

Tape Width	A	B	C	D	N	G	T
12mm	330	3.0	13.2	/	100	12.4	16.8
(Tolerance)	±2.0	+0.5/-0.2	±0.2	/	±0.5	±0.4	±0.6

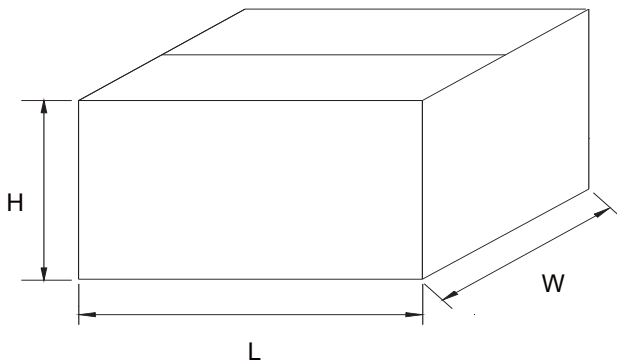
Dimensions

Inbox size



Dimension	Specification(mm typical)
	General
L	355
W	345
H	60

Carton size Feed Direction



Dimension	Specification(mm typical)
	General
L	390
W	375
H	360