

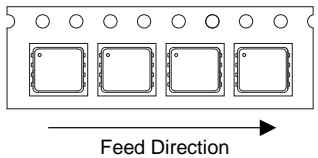
Packing Quantity

Package	Tape Width (mm)	Reel Size (inch)	Reel Quantity	BOX Quantity	Carton Quantity
DFN5X6-8L	12	13	5000	10000	50000

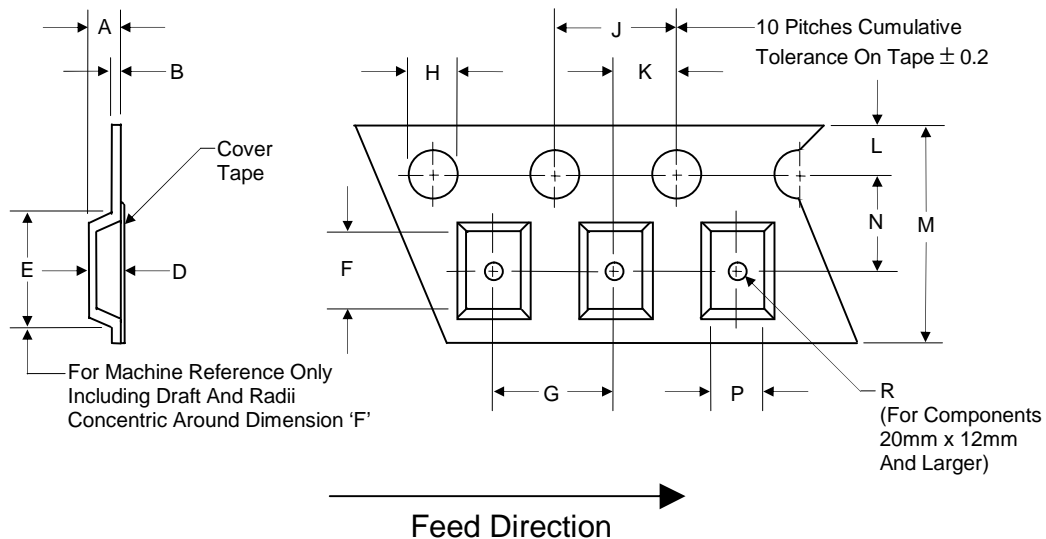
Note 1: These are minimum package quantities only. Minimum orders will differ. Contact the factory for more information on minimum order quantities.

Note 2: GOFORD Tape&reel products meets EIA-481 REV D specification.

Device Tape orientation Start and Finish Specification

Package	Tape Width (mm)	Tape Orientation	Empty components at start (pockets)--close to the reel center	Empty components at finish (pockets)--close to the reel outside
DFN5X6-8L	12		25	50

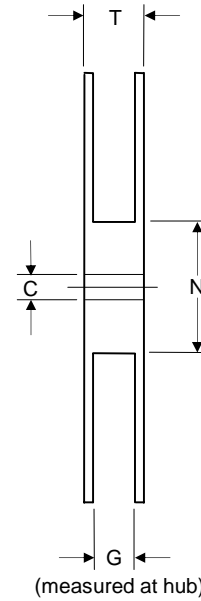
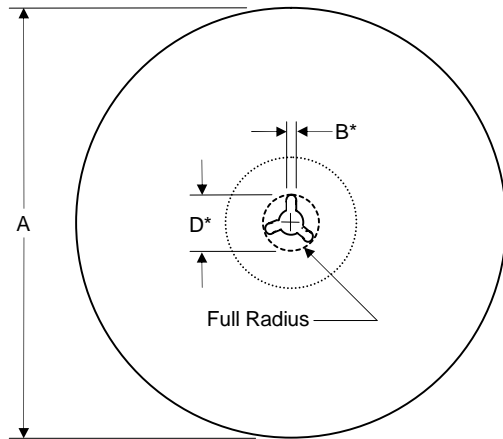
Embossed carrier Tape specifications



Tape Width	H	L	J	B	D	F	P
12mm	1.5	1.75	4.0	0.25	/	5.35	6.5
(Tolerance)	+0.1	±0.1	±0.1	±0.25	/	±0.1	±0.1

Tape Width	E	R	N	A	K	M	G
12mm	5.85	1.5	5.5	1.65	2.0	12.0	8.0
(Tolerance)	MIN	+0.25	±0.05	±0.1	±0.05	+0.3/-0.1	±0.1

Surface Mount Reel Specifications

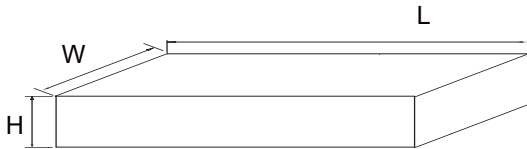


* Drive spoke dimensions optional. If drive spoke is used then asterisked dimensions apply.

Tape Width	A	B	C	D	N	G	T
12mm	330	2.0	13.0	22	100	12.4	16.6
(Tolerance)	±2.0	±0.5	+0.5/-0.2	±0.5	±1.0	+2.0	/

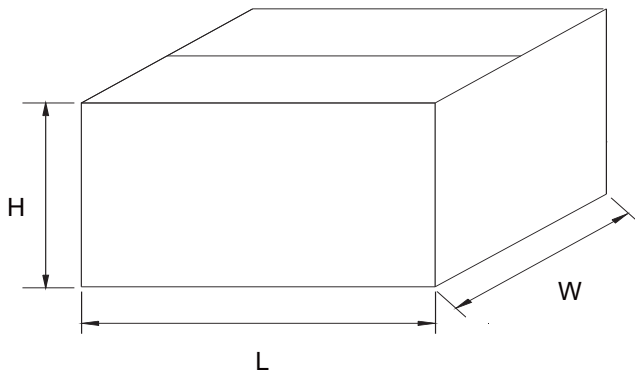
Dimensions

Inbox size



Dimension	Specification(mm typical)
	General
L	356
W	335
H	50

Carton size Feed Direction



Dimension	Specification(mm typical)
	General
L	385
W	285
H	358

Packing Quantity

Package	Tape Width (mm)	Reel Size (inch)	Reel Quantity	BOX Quantity	Carton Quantity
DFN5X6-8L	12	13	5000	10000	50000

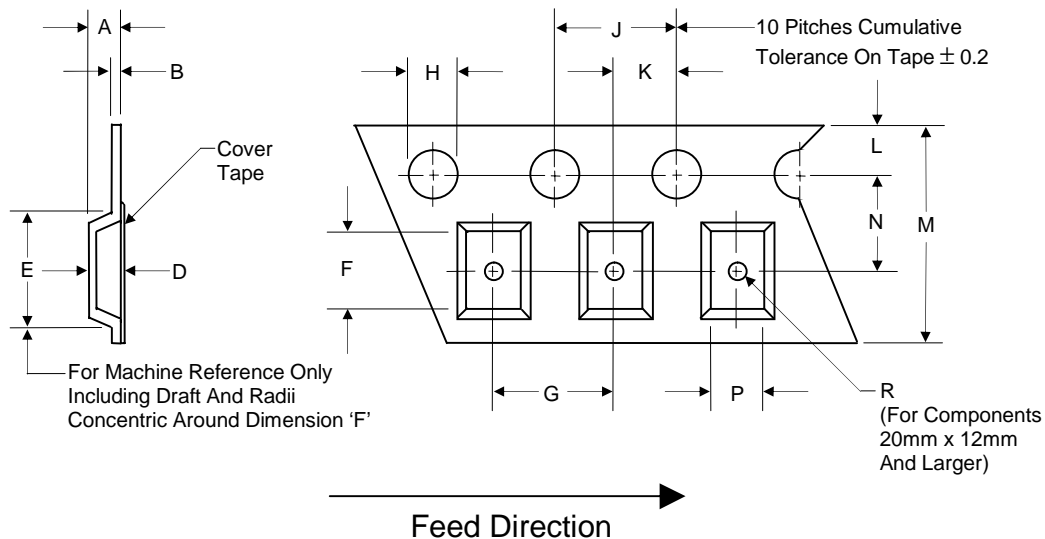
Note 1: These are minimum package quantities only. Minimum orders will differ. Contact the factory for more information on minimum order quantities.

Note 2: GOFORD Tape&reel products meets EIA-481 REV D specification.

Device Tape orientation Start and Finish Specification

Package	Tape Width (mm)	Tape Orientation	Empty components at start (pockets)--close to the reel center	Empty components at finish (pockets)--close to the reel outside
DFN5X6-8L	12		50	empty components at finish wind a lap

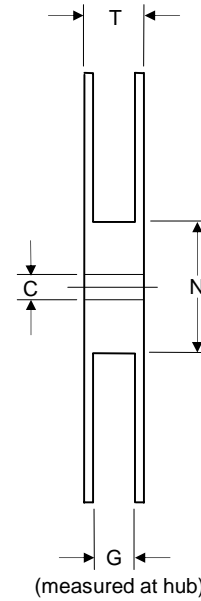
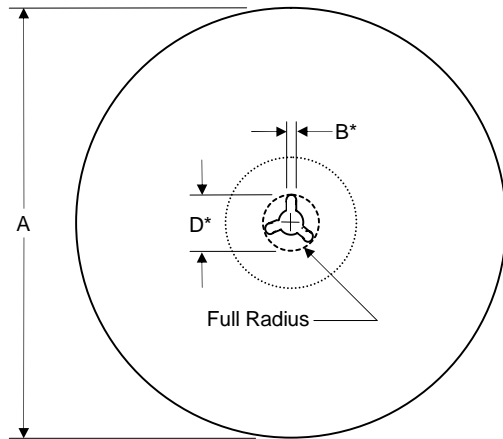
Embossed carrier Tape specifications



Tape Width	H	L	J	B	D	F	P
12mm	1.5	1.75	4.0	0.3	/	5.7	6.6
(Tolerance)	+0.1	±0.1	±0.1	±0.05	/	±0.1	±0.1

Tape Width	E	R	N	A	K	M	G
12mm	6.3	1.55	5.5	1.7	2.0	12.0	8.0
(Tolerance)	MIN	+0.05	±0.1	±0.1	±0.05	±0.1	±0.1

Surface Mount Reel Specifications

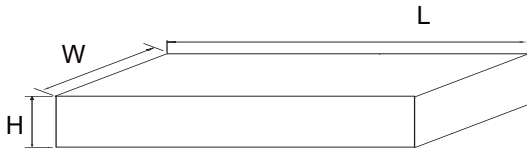


* Drive spoke dimensions optional. If drive spoke is used then asterisked dimensions apply.

Tape Width	A	B	C	D	N	G	T
12mm	330	2.0	13.0	/	100	12.4	18.4
(Tolerance)	±2.0	+0.5/-0.2	+0.5/-0.2	/	±0.5	+1.0	MAX

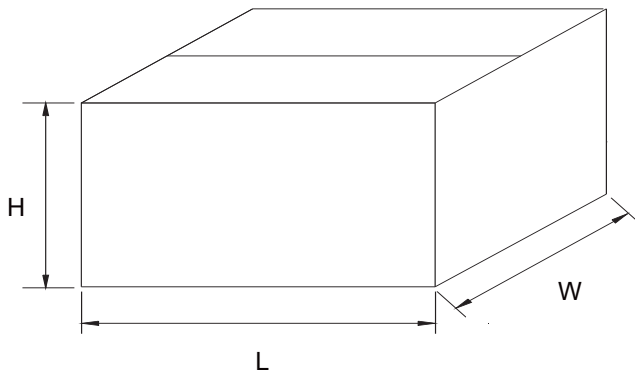
Dimensions

Inbox size



Dimension	Specification(mm typical)
	General
L	370
W	340
H	55

Carton size Feed Direction



Dimension	Specification(mm typical)
	General
L	385
W	365
H	315

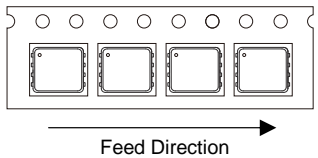
Packing Quantity

Package	Tape Width (mm)	Reel Size (inch)	Reel Quantity	BOX Quantity	Carton Quantity
DFN5X6-8L	12	13	5000	10000	50000

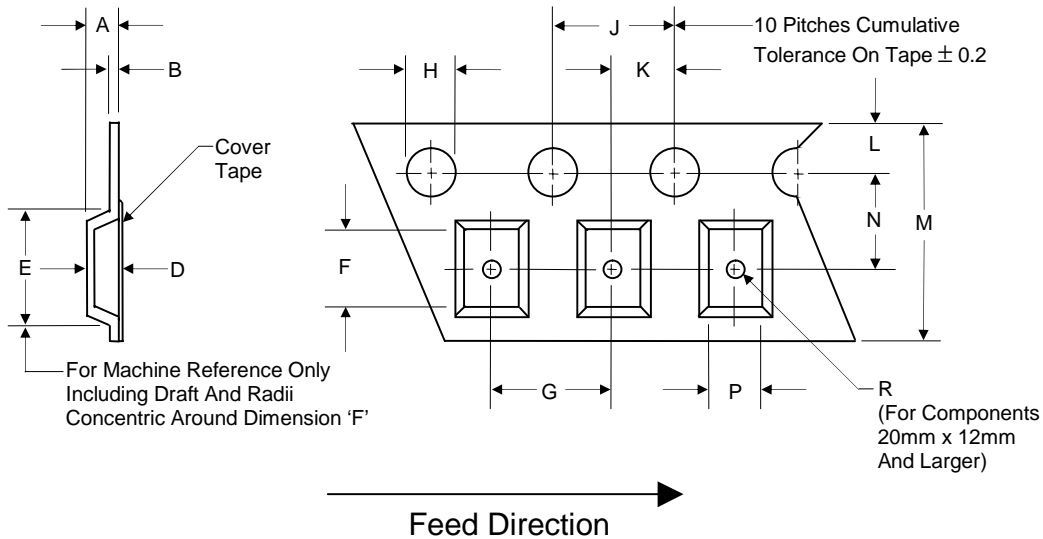
Note 1: These are minimum package quantities only. Minimum orders will differ. Contact the factory for more information on minimum order quantities.

Note 2: GOFORD Tape&reel products meets EIA-481 REV D specification.

Device Tape orientation Start and Finish Specification

Package	Tape Width (mm)	Tape Orientation	Empty components at start (pockets)--close to the reel center	Empty components at finish (pockets)--close to the reel outside
DFN5X6-8L	12		100	150

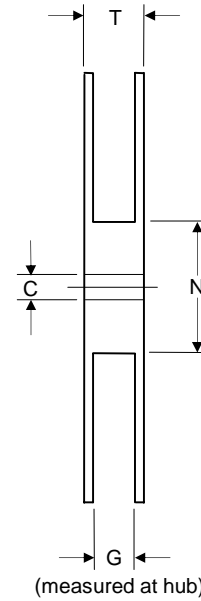
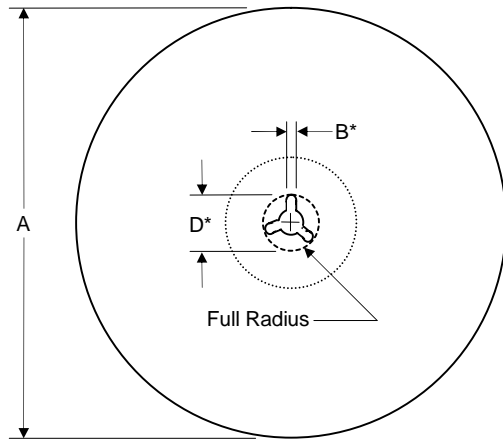
Embossed carrier Tape specifications



Tape Width	H	L	J	B	D	F	P
12mm	1.5	1.75	4.0	0.3	/	5.7	6.45
(Tolerance)	±0.1	±0.1	±0.1	±0.05	/	±0.1	±0.1

Tape Width	E	R	N	A	K	M	G
12mm	6.3	1.5	5.5	1.75	2.0	12.0	8.0
(Tolerance)	MIN	+0.25	±0.05	±0.1	±0.05	±0.2	±0.1

Surface Mount Reel Specifications

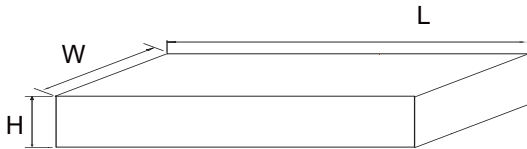


* Drive spoke dimensions optional. If drive spoke is used then asterisked dimensions apply.

Tape Width	A	B	C	D	N	G	T
12mm	330	2.0	13.0	21	100	12.4	17.4
(Tolerance)	±2.0	±0.5	+0.5/-0.2	±0.5	±0.5	+2.0	+1.0/-0.5

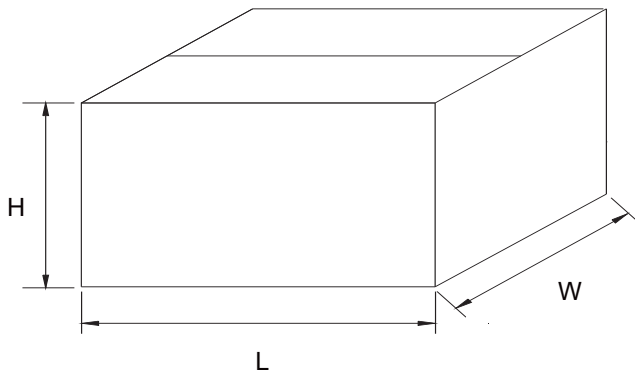
Dimensions

Inbox size



Dimension	Specification(mm typical)
	General
L	362
W	356
H	63

Carton size Feed Direction



Dimension	Specification(mm typical)
	General
L	379
W	338
H	381