

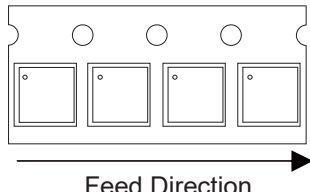
Packing Quantity

Package	Tape Width (mm)	Reel Size (inch)	Reel Quantity	BOX Quantity	Carton Quantity
DFN3X3-8L	12	13	5000	10000	50000

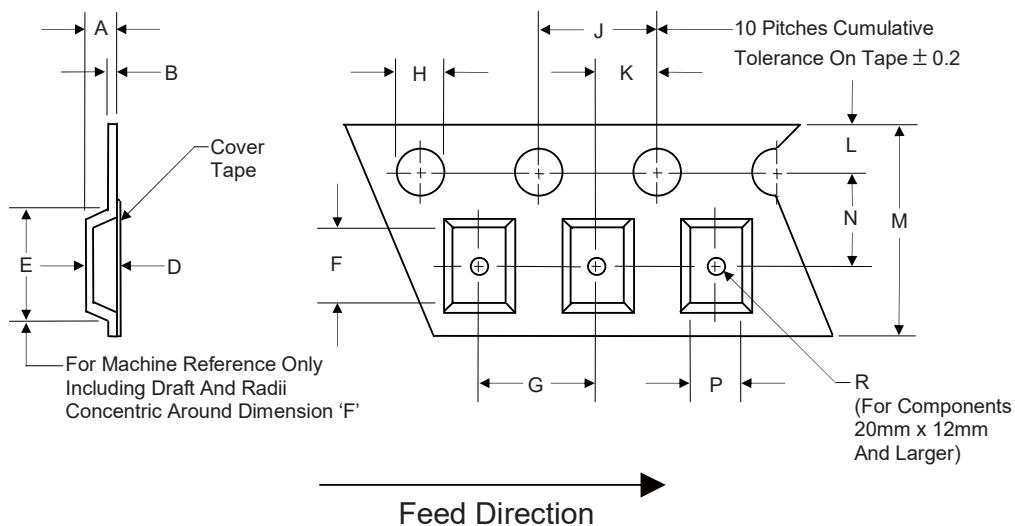
Note 1: These are minimum package quantities only. Minimum orders will differ. Contact the factory for more information on minimum order quantities.

Note 2: GOFORD Tape&reel products meets EIA-481 REV D specification.

Device Tape orientation Start and Finish Specification

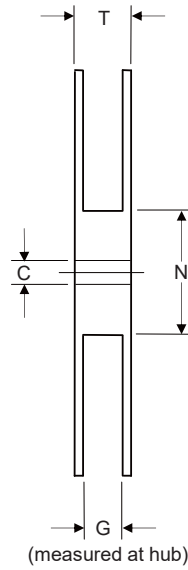
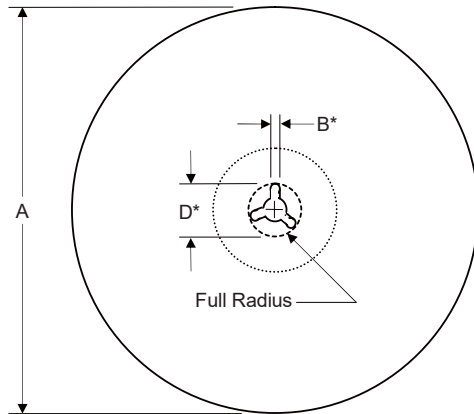
Package	Tape Width (mm)	Tape Orientation	Empty components at start (pockets)--close to the reel center	Empty components at finish (pockets)--close to the reel outside
DFN3X3-8L	12		25	50

Embossed carrier Tape specifications



Tape Width	H	L	J	B	D	F	P
12mm	1.55	1.75	4.0	0.3	/	/	/
(Tolerance)	±0.05	±0.1	±0.1	±0.05	/	/	/
Tape Width	E	R	N	A	K	M	G
12mm	/	1.5	/	/	2.0	/	/
(Tolerance)	/	MIN	/	/	±0.1	/	/

Surface Mount Reel Specifications

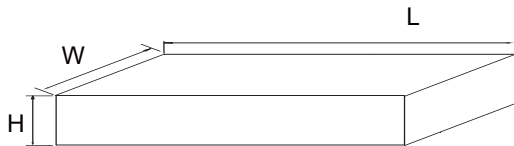


* Drive spoke dimensions optional. If drive spoke is used then asterisked dimensions apply.

Tape Width	A	B	C	D	N	G	T
12mm	330	2.0	13.3	22	100	12.4	16.6
(Tolerance)	±2.0	±0.5	+0.5/-0.2	±0.5	±1.0	+2.0	/

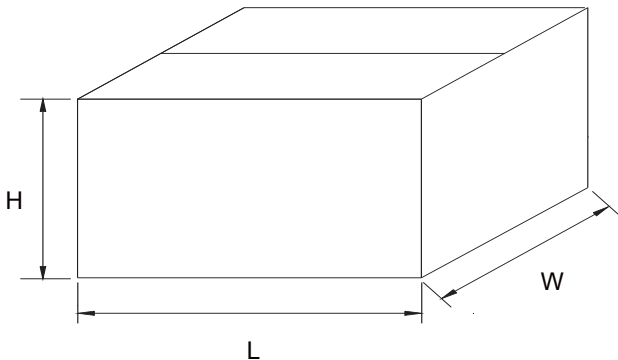
Dimensions

Inbox size



Dimension	Specification(mm typical)
	General
L	356
W	335
H	50

Carton size Feed Direction



Dimension	Specification(mm typical)
	General
L	385
W	285
H	358

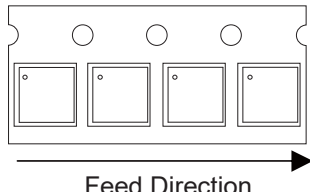
Packing Quantity

Package	Tape Width (mm)	Reel Size (inch)	Reel Quantity	BOX Quantity	Carton Quantity
DFN3X3-8L	8	7	3000	30000	120000

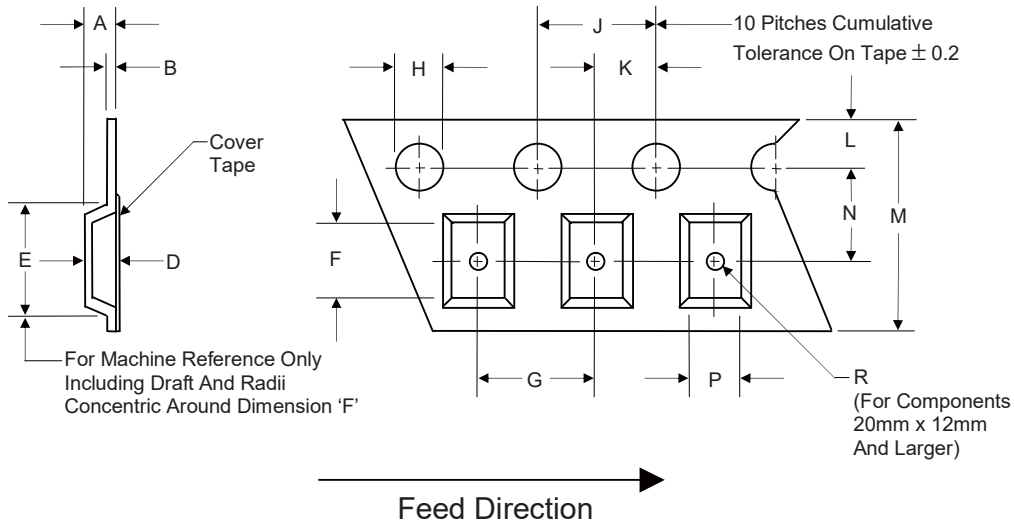
Note 1: These are minimum package quantities only. Minimum orders will differ. Contact the factory for more information on minimum order quantities.

Note 2: GOFORD Tape&reel products meets EIA-481 REV D specification.

Device Tape orientation Start and Finish Specification

Package	Tape Width (mm)	Tape Orientation	Empty components at start (pockets)--close to the reel center	Empty components at finish (pockets)--close to the reel outside
DFN3X3-8L	8		100	50

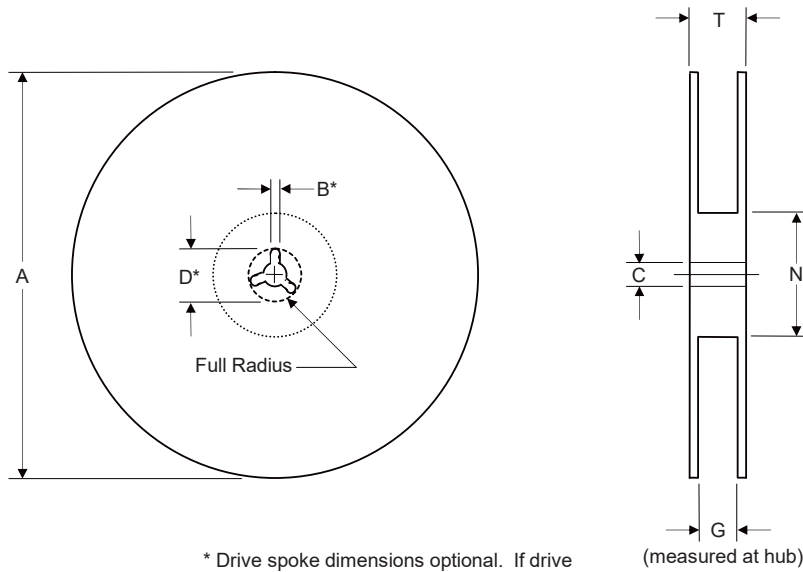
Embossed carrier Tape specifications



Tape Width	H	L	J	B	D	F	P
8mm	1.5	1.75	4.0	0.2	/	3.3	3.3
(Tolerance)	±0.1	±0.1	±0.1	±0.02	/	±0.1	±0.1

Tape Width	E	R	N	A	K	M	G
8mm	3.7	1.0	3.5	1.25	/	8.0	4.0
(Tolerance)	MIN	±0.1	±0.1	±0.2	/	±0.1	±0.1

Surface Mount Reel Specifications

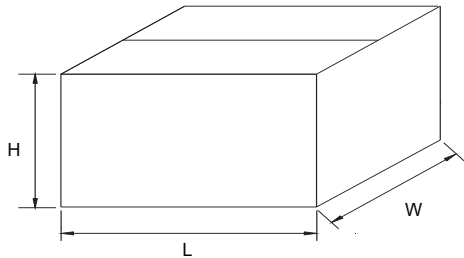


* Drive spoke dimensions optional. If drive spoke is used then asterisked dimensions apply.

Tape Width	A	B	C	D	N	G	T
8mm	178	3.0	13.3	20	54	9.2	11.6
(Tolerance)	±1.0	±1.0	±0.3	±2.0	±0.5	±1.2	±1.4

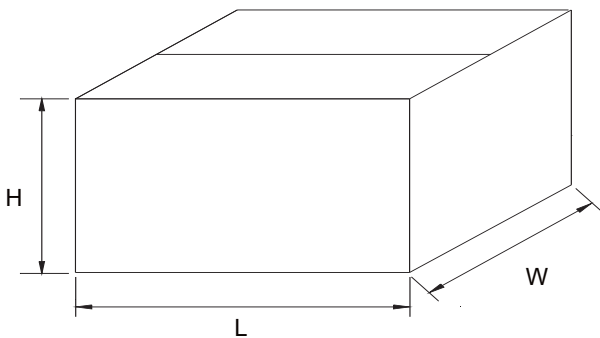
Dimensions

Inbox size



Dimension	Specification(mm typical)
	General
L	210
W	210
H	210

Carton size Feed Direction



Dimension	Specification(mm typical)
	General
L	440
W	440
H	230