

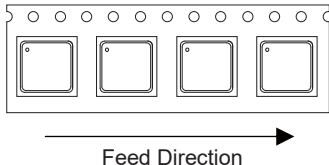
Packing Quantity

| Package | Tape Width (mm) | Reel Size (inch) | Reel Quantity | BOX Quantity | Carton Quantity |
|-----------|-----------------|------------------|---------------|--------------|-----------------|
| DFN8X8-4L | 16 | 13 | 3000 | 3000 | 24000 |

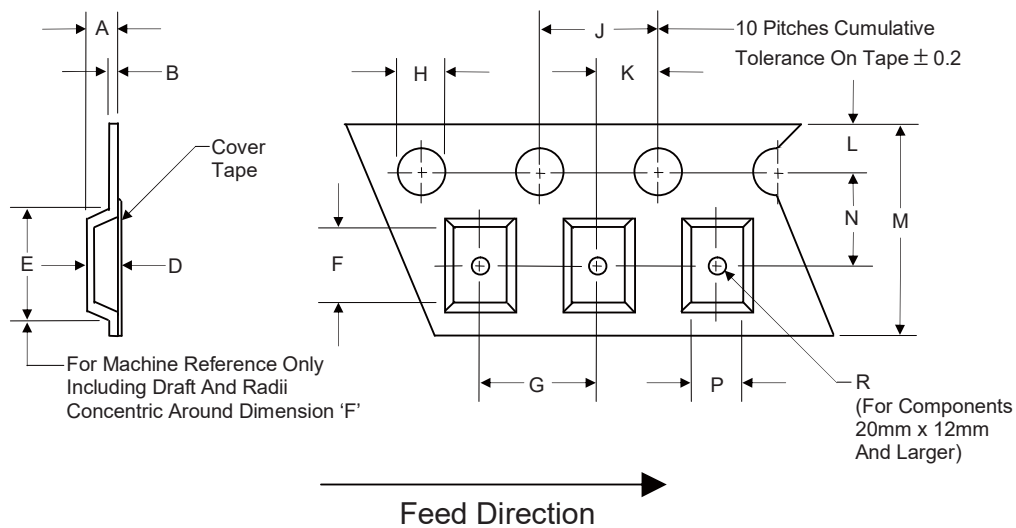
Note 1: These are minimum package quantities only. Minimum orders will differ. Contact the factory for more information on minimum order quantities.

Note 2: GOFORD Tape&reel products meets EIA-481 REV D specification.

Device Tape orientation Start and Finish Specification

| Package | Tape Width (mm) | Tape Orientation | Empty components at start (pockets)--close to the reel center | Empty components at finish (pockets)--close to the reel outside |
|-----------|-----------------|---|---|---|
| DFN8X8-4L | 16 |  | 60 | 80 |

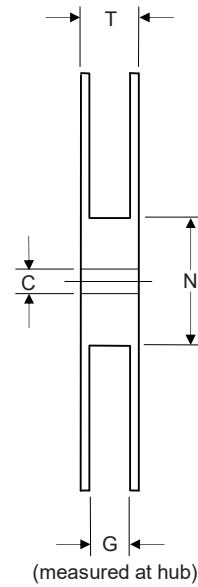
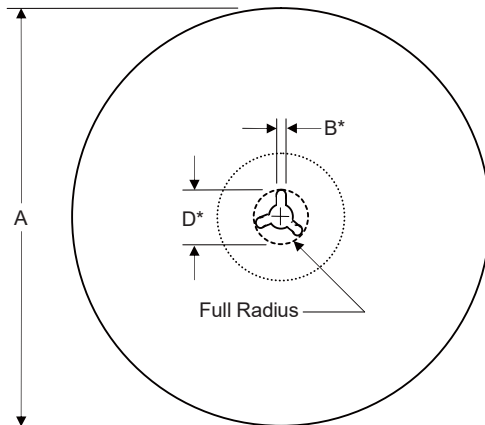
Embossed carrier Tape specifications



| Tape Width | H | L | J | B | D | F | P |
|-------------|------|------|------|-------|---|------|------|
| 16mm | 1.5 | 1.75 | 4.0 | 0.3 | / | 8.3 | 8.3 |
| (Tolerance) | +0.1 | ±0.1 | ±0.1 | ±0.05 | / | ±0.1 | ±0.1 |

| Tape Width | E | R | N | A | K | M | G |
|-------------|-----|-------|------|-----|------|------|------|
| 16mm | 8.9 | 1.5 | 7.5 | 1.1 | 2.0 | 16.0 | 12.0 |
| (Tolerance) | MIN | ±0.25 | ±0.1 | MIN | ±0.1 | ±0.3 | ±0.1 |

Surface Mount Reel Specifications

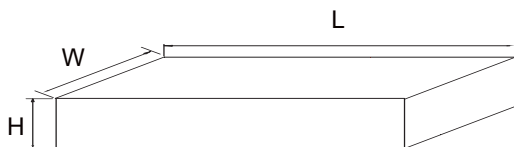


* Drive spoke dimensions optional. If drive spoke is used then asterisked dimensions apply.

| Tape Width | A | B | C | D | N | G | T |
|-------------|------|------|-----------|------|------|------|-----------|
| 16mm | 330 | 2.0 | 13.0 | 21 | 100 | 16.4 | 21.4 |
| (Tolerance) | ±2.0 | ±0.5 | +0.5/-0.2 | ±0.5 | ±0.5 | +0.2 | +0.2/-0.5 |

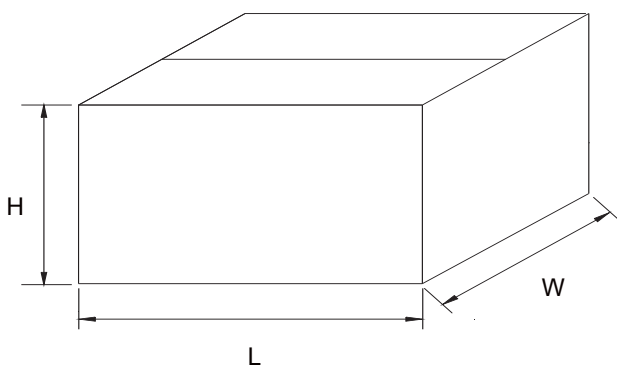
Dimensions

Inbox size



| Dimension | Specification(mm typical) |
|-----------|---------------------------|
| | General |
| L | 362 |
| W | 356 |
| H | 45 |

Carton size Feed Direction



| Dimension | Specification(mm typical) |
|-----------|---------------------------|
| | General |
| L | 379 |
| W | 248 |
| H | 381 |